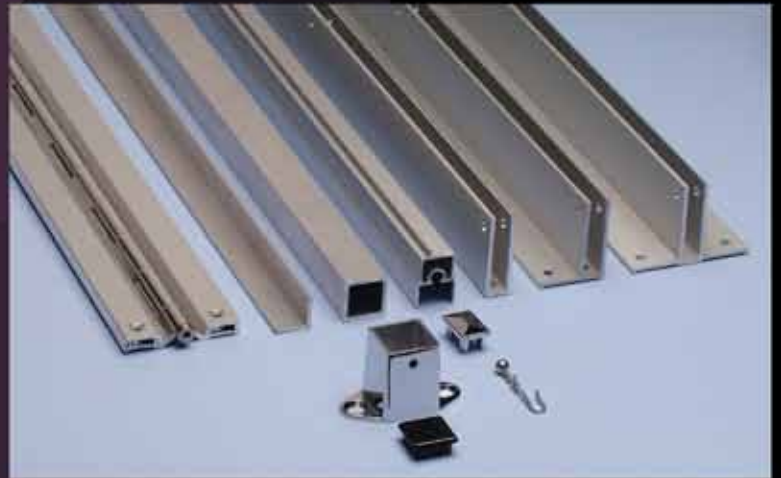


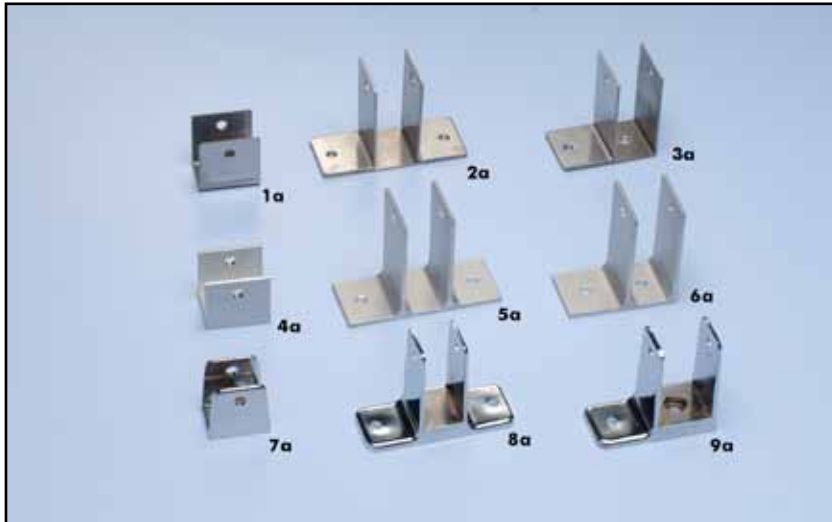


AMPCO Products LLC

Hardware Catalog

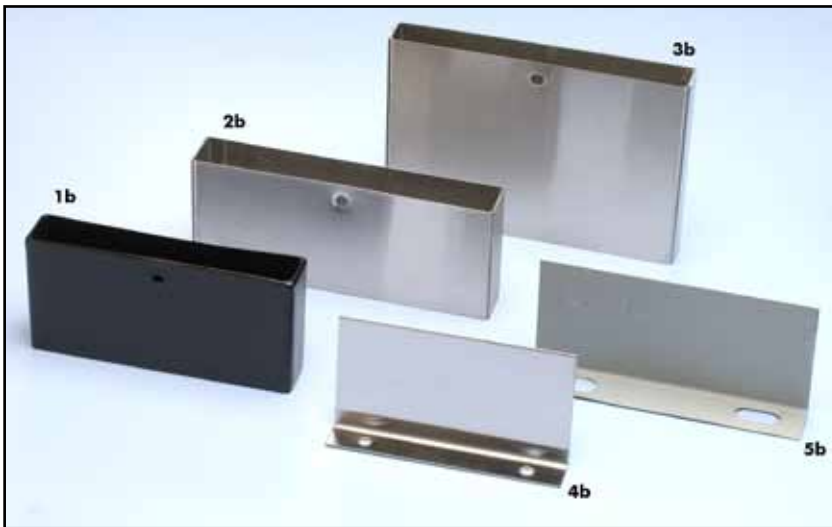


Brackets



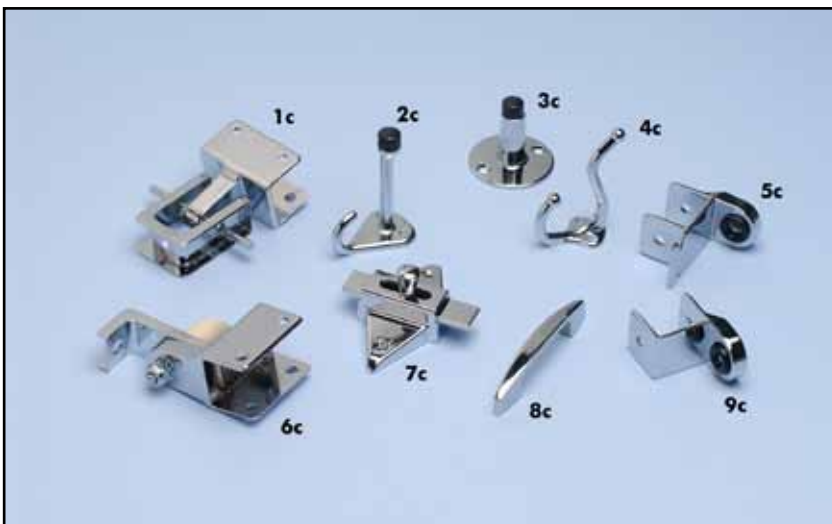
Item #	Description
1a	Stamped Stainless Steel U Bracket available in 1/2", 3/4", 7/8" and 1"
2a	Stamped Stainless Steel T Bracket available 1/2", 3/4", 7/8" and 1"
3a	Stamped Stainless Steel F Bracket available in 1/2", 3/4", 7/8", 1" and 1 1/4"
4a	Aluminum U Bracket, available in 1"
5a	Aluminum T Bracket, available in 1"
6a	Aluminum F Bracket, available in 1" and 1 1/4"
7a	Zamac U Bracket available in 7/8" and 1"
8a	Zamac T Bracket available in 3/4", 7/8" and 1" and 1 1/4"
9a	Zamac F Bracket 3/4", 7/8", 1" and 1 1/4"

Shoes



Item #	Description
1b	Plastic vinyl shoe for Plastic available in 1" X 3"H
2b	Stainless Steel shoe for HPL 3"H available in 3/4", 1" and 1 1/4"
3b	Stainless Steel shoe for Phenolic core 5"H available in 3/4" and 1"
4b	L Plate available in 3/4"
5b	L Plate available in 1 1/4"

Cast Chrome Plated Zamac Door Pack

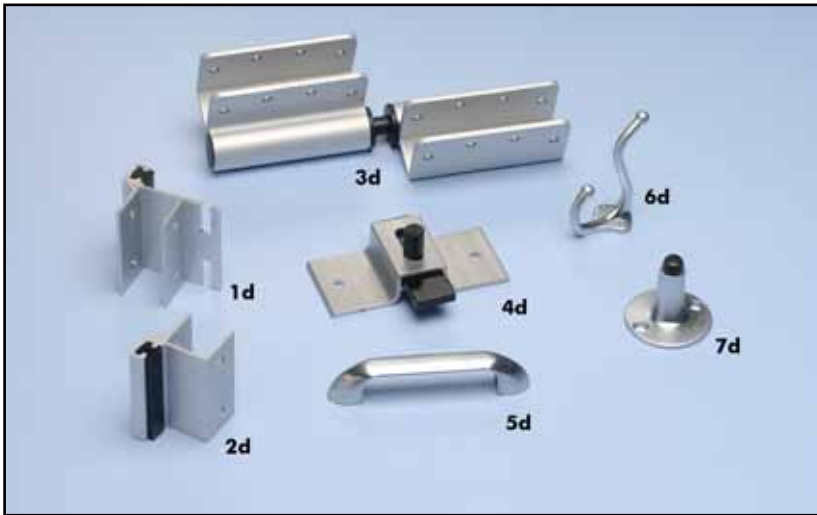


Item #	Description
1c	Top Adjustable Hinge Set
2c	Inswing Door Hook
3c	Outswing Door Stop
4c	Outswing Door Hook
5c	Inswing Keeper
6c	Bottom Adjustable Hinge Set
7c	Outswing and Inswing Slide Latch
8c	Outswing Door Pull
9c	Outswing Keeper



Ampco Hardware

Clear Satin Anodized Aluminum Door Pack



Item #	Description
1d	Inswing Keeper
2d	Outswing Keeper
3d	8" RH or LH adjustable hinge set
4d	Inswing Outswing Slide Latch
5d	Outswing Door Pull
6d	Outswing Door Hook
7d	Outswing Door Stop

Stainless Steel for Phenolic Core Door Pack



Item #	Description
1e	Outswing Door Pull
2e	Inswing and Outswing Slide Latch
3e	Inswing Keeper
4e	Outswing Keeper
5e	Bottom Adjustable Hinge
6e	Top Adjustable Hinge
7e	Outswing Door Stop
8e	Inswing Door Hook
9e	Outswing Door Hook

Cast Chrome Plated Zamac for Stainless Steel and Baked Enamel



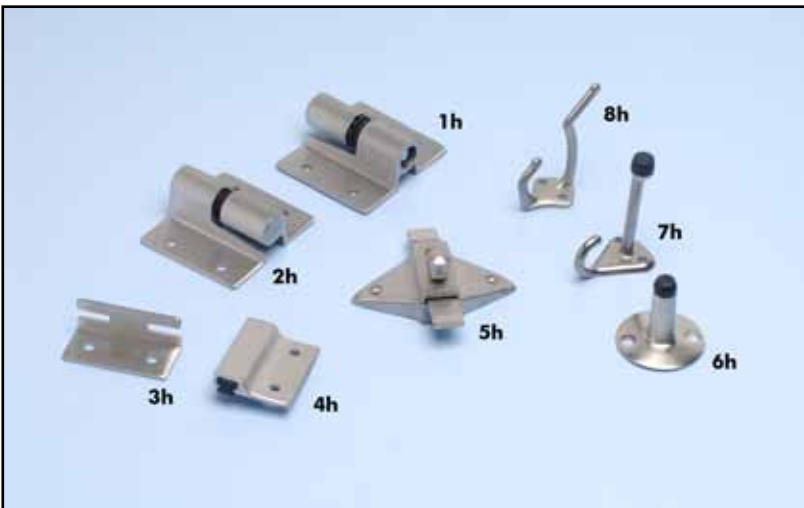
Item #	Description
1f	Inswing Keeper
2f	Outswing Keeper
3f	Outswing Door Stop
4f	Outswing Door Hook
5f	Outswing Door Pull
6f	Inswing and Outswing Slide Latch
7f	Inswing Door Hook
8f	Bottom Adjustable Hinge Set
9f	Top Adjustable Hinge Set

Stainless Steel Hardware for Stainless Steel and Baked Enamel



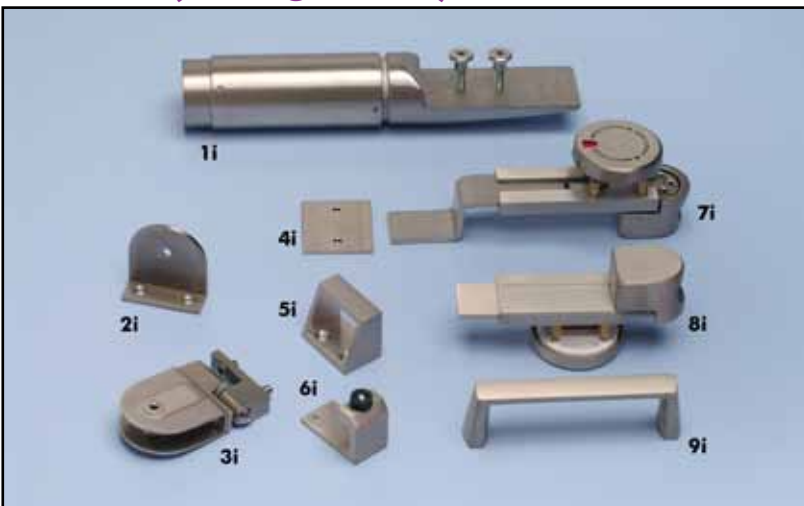
Item #	Description
1g	Inswing Keeper
2g	Outswing Keeper
3g	Outswing Door Stop
4g	Inswing Door Hook
5g	Outswing Door Hook
6g	Inswing and Outswing Slide Latch
7g	Outswing Door Pull
8g	Bottom Adjustable Hinge Set
9g	Top Adjustable Hinge Set

Stainless Steel



Item #	Description
1h	Surface Mounted Adjustable Hinge Top
2h	Surface Mounted Adjustable Hinge Bottom
3h	Inswing Keeper Split Emergency
4h	Outswing/Inswing Keeper Split Bumper
5h	Inswing and Outswing Slide Latch
6h	Outswing Door Stop
7h	Inswing Door Hook
8h	Outswing Door Hook

Euroline (No Sight Line)



Item #	Description
1i	Pedestal Stainless Steel Finished Aluminum available in 1/2" and 3/4"
2i	Stainless Steel Finished Aluminum L Bracket available in 1/2" and 3/4"
3i	Stainless Steel Finished Aluminum Hinge available in 1/2" and 3/4" Three (3) per door
4i	Outswing Keeper Finished Aluminum
5i	Inswing Keeper Finished Aluminum
6i	Inswing Door Hook Finished Aluminum
7i	Outswing Slide Latch with occupancy indicator Finished Aluminum
8i	Inswing Slide Latch Finished Aluminum
9i	Outswing Door Pull Finished aluminum



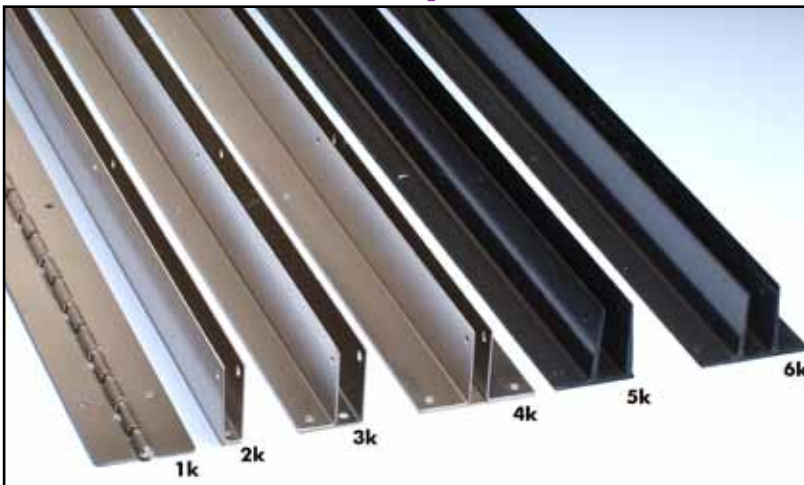
Ampco Hardware

Hinges



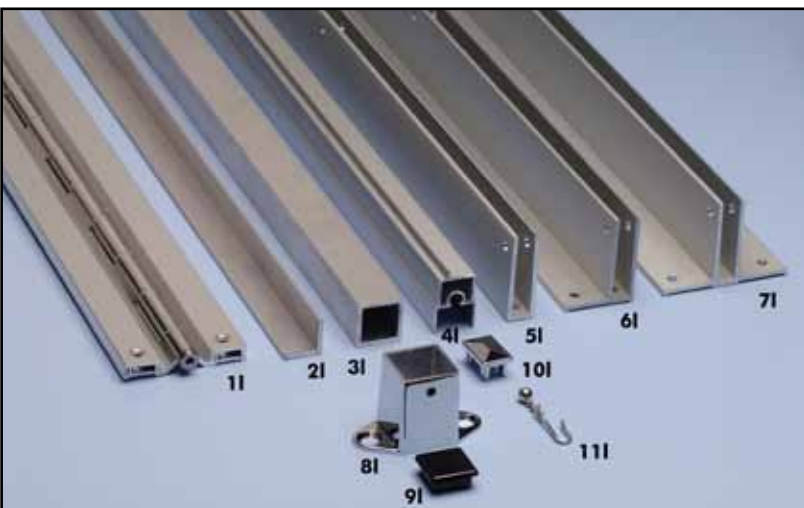
Item #	Description
1j	Satin Anodized Aluminum Hinge for Solid Plastic 8" RH or LH
2j	Bottom Bracket Hinge Stainless Steel for Phenolic
3j	Top Hinge Stainless Steel for Phenolic
4j	Surface Mounted Hinge set, cast stainless steel
5j	Zamac Bottom Door Hinge for HPL
6j	Zamac Top Door Hinge for HPL
7j	Brass Surface Mounted Hinge set

Stainless Steel and Vinyl Hardware



Item #	Description
1k	Inswing and Outswing Stainless Steel Continuous Camed Hinge 54", with 0° or 20° cam hinge
2k	U Bracket available in 1/2", 3/4" and 1" by 54 1/2"
3k	F Bracket available in 1/2", 3/4", 1" and 1 1/4" by 54 1/2"
4k	T Bracket available in 1/2", 3/4" and 1" by 54 1/2"
5k	F Bracket Vinyl Plastic 1" x 54"
6k	T Bracket Vinyl Plastic 1" x 54"

Aluminum Miscellaneous Hardware



Item #	Description
1l	Aluminum Continuous Adjustable Spring Tension Hinge 54" with cover plates
2l	Angles available in 1/2", 1" and 1 1/2"
3l	Square Tube 1 1/4"
4l	Length Headrail available in 3/4", 1" and 1 1/4"
5l	U Bracket available in 1/2", 3/4" and 1" by 54 1/2"
6l	F Bracket available in 1/2", 3/4", 1" and 1 1/4" by 54 1/2"
7l	T Bracket available in 1/2", 3/4" and 1" by 54 1/2"
8l	Post Shoe 1 1/4" Chrome
9l	1 1/4" Post End Cap
10l	End plug for HeadRail available in 3/4", 1" and 1 1/4"
11l	Chrome Bead Hook (for showers)

Fasteners



Item #	Description	Item Code
Ceiling Hung		
1m	Threaded Rod	439-87405
2m	Washer	439-CH WASHER
5m	Nut	439-TR NUT
Floor Mounted		
3m	Threaded Rod	439-87435
4m	Washer	439-WASHER 5/16
5m	Nut	439-TR NUT
6m	Rawl	439-RAWL
7m	Nut Pro	439-T NUT PRO
8m	Tap	439-TAP 1-4

Item	Description	Phenolic Core		Aluminum	High Pressure Laminate			Chrome Plated Zamac		
		1/2"	3/4"	1"	7/8"	1"	1-1/4"	1"	7/8"	1-1/4"
9m	#12 x2" Anchor Screw	439-92020						439-91913		
10m	Lead Anchors	439-9117						439-9117		
11m	Plastic Anchors	439-9106						439-9106		
12m	#12 x7/16" SS Blunt Pt. Screw	439-91530								
13m	#10 x1" SS Tap Screw	N/A	N/A	439-90969			439-91064			
14m	#10 x1" SS Tap/Phillip Screw	N/A	N/A	439-91154 (ss six lobe)			439-91114 (Phillips)			
15m	Security Six Lobe Drive Bit	439- T20 / 439-T27								
16m	#8-32 Unslotted Barrel Nut	439-9870						439-9864		
17m	#8-32 Six Lobe Oval head	N/A	439-88430	439-88289	N/A	439-88440	439-88464	439-88440		439-88464
18m	#10-24 Barrel Nut	439-88310	439-88310	439-88320	439-88320			439-88314		
19m	#10-24 Shoulder Screw	439-88330	439-88350	439-88360	439-88350	439-88360		439-88364	439-88344	439-88364
			439-88340			439-88390				

AMPCO Products LLC.

Ampco Florida

11400 NW 36th Avenue
Miami FL, 33167
Tel: 305/821-5700
Fax: 305/507-1424
florida@ampco.com

Ampco Texas

201 Railroad Avenue
Sanger, TX 76266
Tel: 940/458-7401
Fax: 940/458-5307
texas@ampco.com

Ampco Tennessee

1200 Violet Street
Morristown, TN 37814
Tel: 423/586-3993
Fax: 423/586-3637
tennessee@ampco.com

Ampco Washington

4520 B Street Suite B
Auburn, WA 98001
Tel: 253/852-5900
Fax: 253/856-2859
washington@ampco.com

www.ampco.com

Visit our in Sweets and AEC DAILY



McGraw-Hill Construction Information Group
Sweets Network