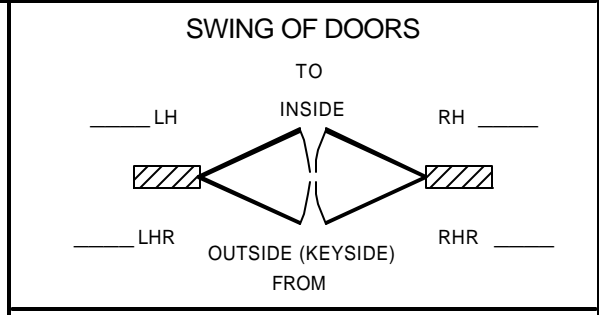
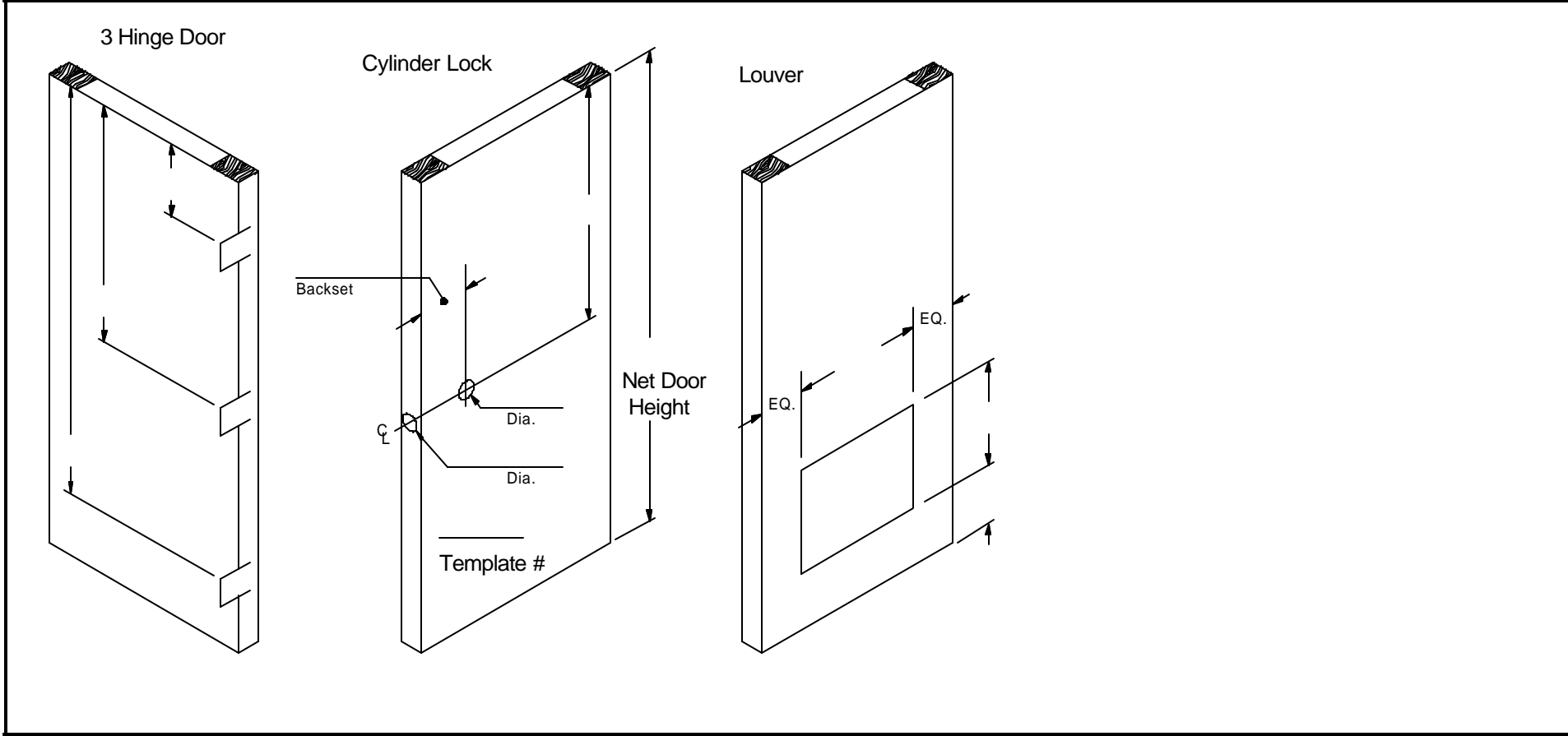
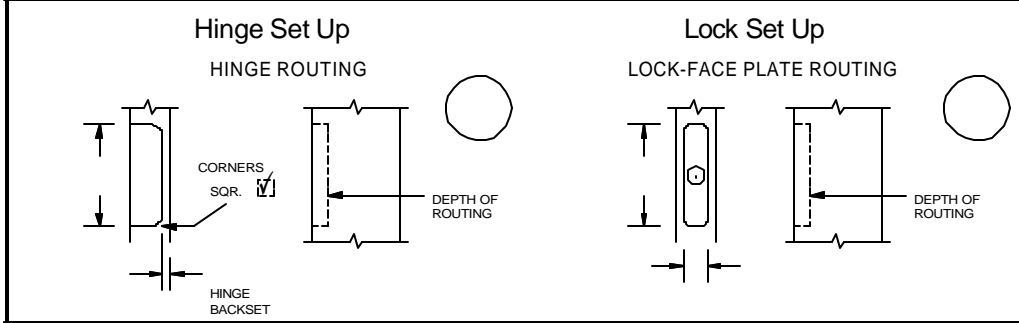


Customer Name:	Job Name:	Order No.	Core Type: Labeled:	Bevel:
Prefit Door Size: Width _____ x Height _____ x Thickness _____		Door Skin / Laminate:		Lock Manufacturer:
		Lock Model/Funct. No.		



Remarks & Misc. Hdw. Info.

---



Total No. of Doors (This page):					Packing:					
Door No. (Tag)										Swing
Checked By:					Date:		Issued to Prod.		Sht.	Job No.